

PART# RCS-075

Recessed Mounted Magnetic Contact $\frac{3}{4}$ " Short



Acenes

Innovative Solutions for Security

Acenes LLC.

155 Lafayette Ave.

White Plains, NY 10603 US

+914 233 1400

sales@acenesllc.com



Name:	Recessed Mounted Magnetic Contact 3/4" Short
Acenes Part:	RCS-075
Name Memory Aid:	Round Contact SORT (21mm) 0.75"
Wires:	2 Wires
Wire Color:	White or Grey
Include 1K/1K:	No
Loop Type:	Closed circuit (in the presence of magnet) / Open circuit
Number of devices per package:	10
Certification:	ISO, RoHS, CE
Specifications:	UL, CE, RoHS

Description:

	Part Number: RCS-075	Part Number: RCS-075-1K1K
Loop Type	Closed	Closed
Reed Form	N/O	N/O
Contact Color	White or Grey	White or Grey
Closed Gap (in steel door) [Inch(mm)]	3/4(19)	3/4(19)
Departure Gap (in steel door) [Inch(mm)]	0.95(24)	0.95(24)
Maximum Initial Contact Resistance (Ohm)	0.150	0.150
Maximum Contact Rating (W)	7.5	7.5
Maximum Switching Voltage (VDC/VAC)	100	100
Maximum Switching Current (A)	0.4	0.4

Features:

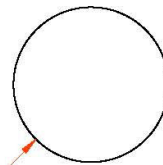
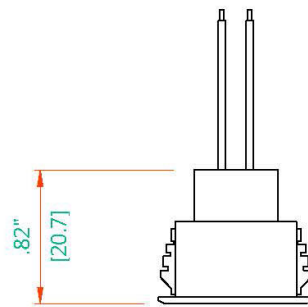
- Diameter: 3/4", press to fit
- Suitable for steel door installation
- Self-locking
- Longer leads available
- Standard 18" 22AWG leads
- Switch or magnet available separately
- 2-conductor jacket cable upon request
- Colors: white or grey (Custom colors available)



Innovative Solutions for Security

RCS-075

SWITCH



MAGNET

