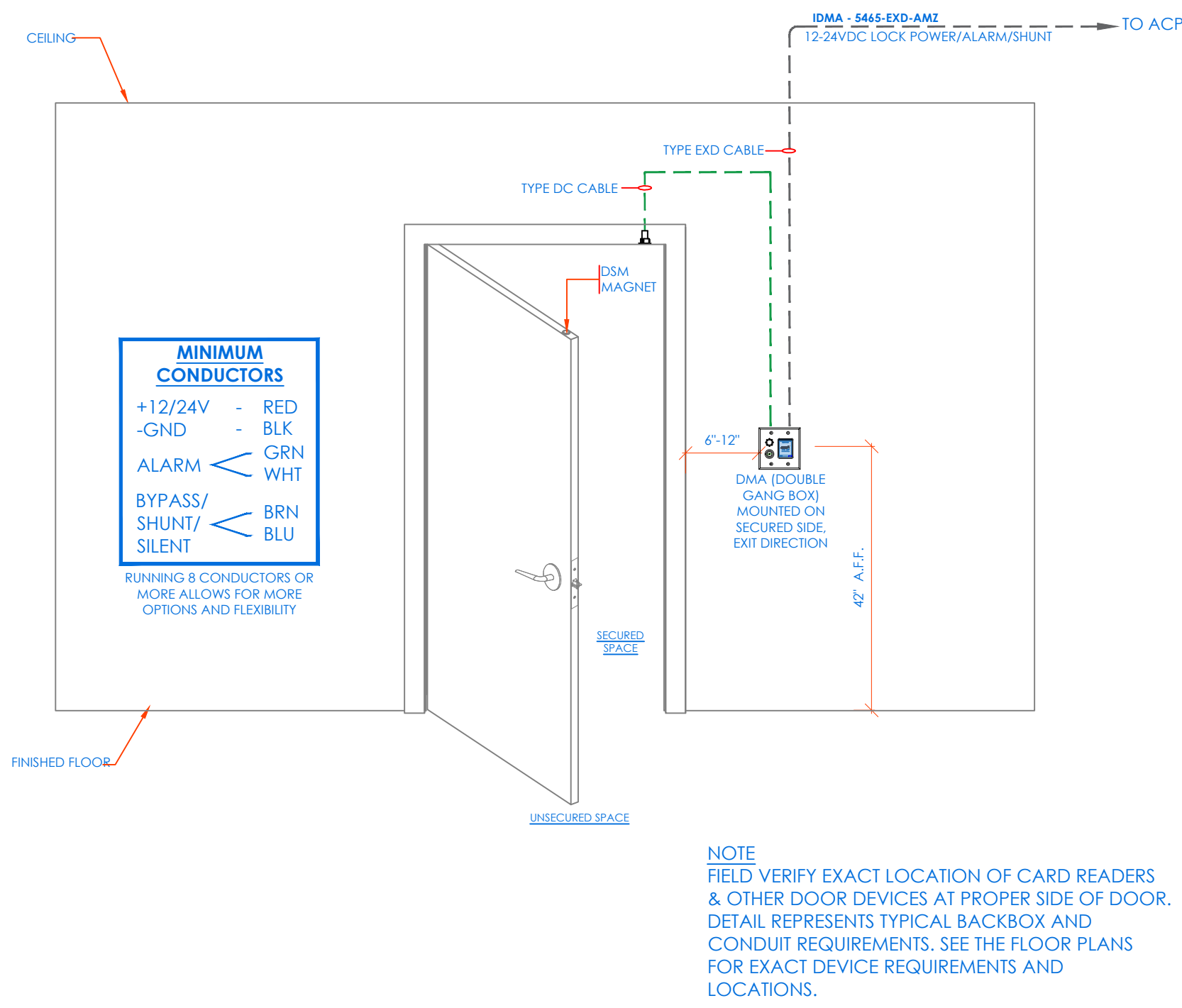
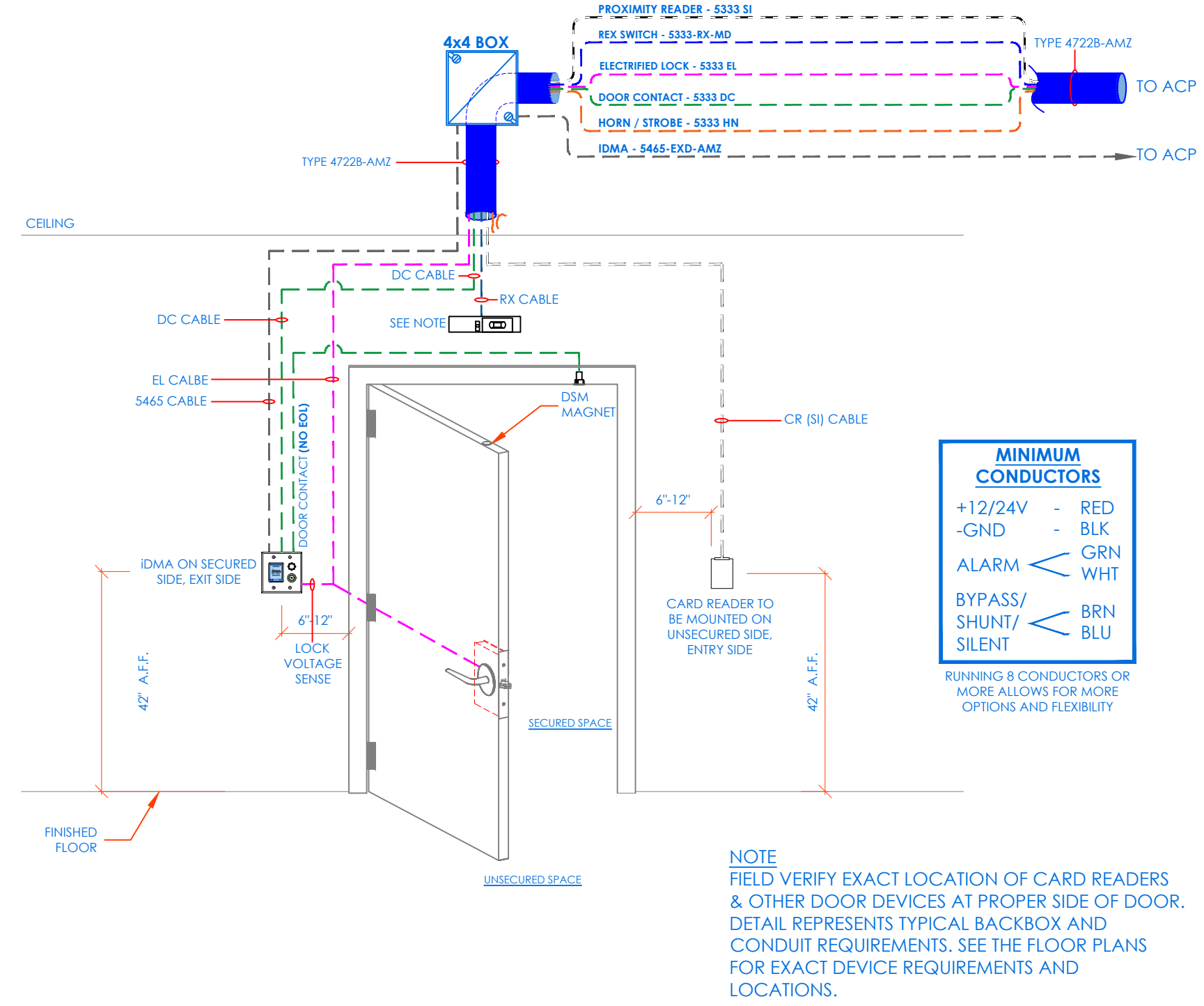


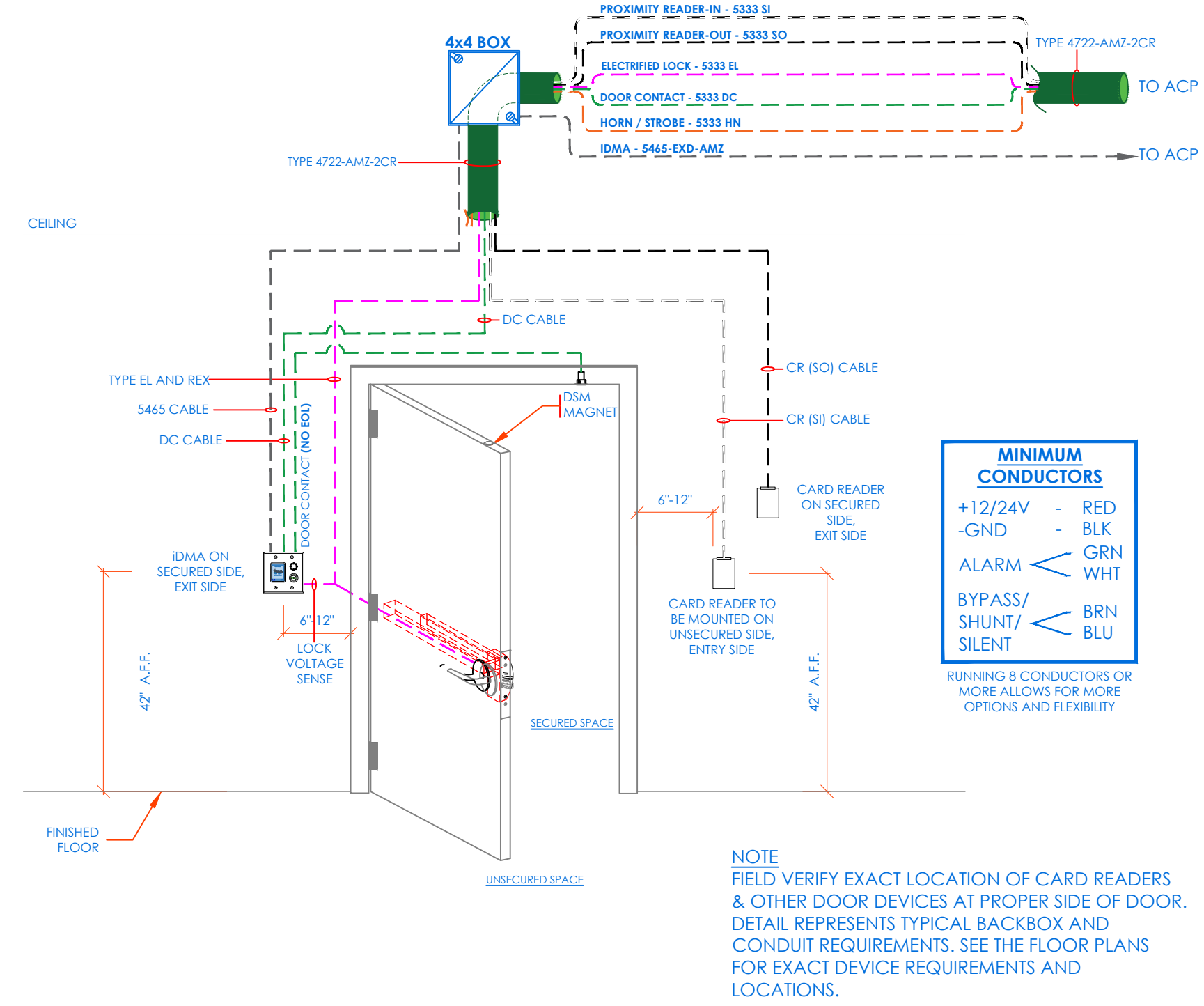
**SINGLE DOOR WITH DOOR CONTACT AND IDMA**



**SINGLE DOOR WITH CONTACT, CARD READER, MORTISE LOCK, RTE & DMA**



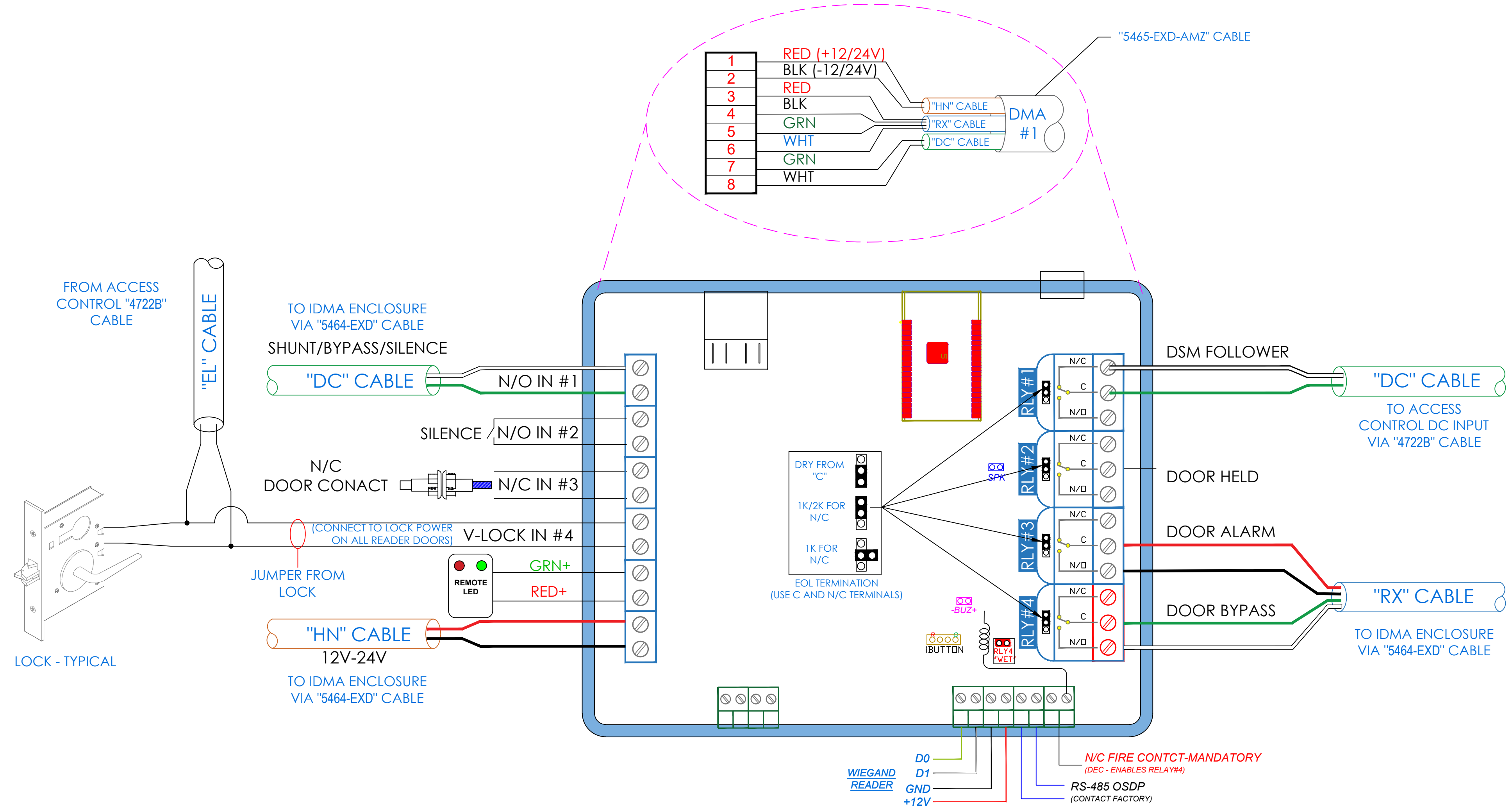
**SINGLE DOOR WITH CONTACT, 2 CARD READER, CRASH BAR & DMA**



**IDMA - VARIOUS APPLICATIONS - WIRING OPTIONS**

WIRING SHOWN BELOW ARE FACTORY DEFAULTS FOR ACCESS CONTROL INTERFACE USING STANDARD 5465-EXD-AMZ CABLE. FOR FURTHER INFORMATION AND TERMINATION SEE IDMA INTERFACE SAMPLE DRAWINGS

**CONNECTIVITY:**  
 - VIA DRY CONTACTS  
 - BLUETOOTH  
 - ETHERNET  
 - Wi-Fi  
 - OSDP  
 - AUDIO (optional)



ISSUED FOR:

| DATE     | COMMENTS |
|----------|----------|
| XX/XX/XX | X        |
|          |          |
|          |          |
|          |          |
|          |          |
|          |          |
|          |          |
|          |          |



This CAD set and all inventions, ideas, designs, details and methods shown here are the property of Acenes, Inc and may not be used, altered, reproduced, or distributed without ACENES's written consent and permission.

PROJECT: **SAMPLE DOORS**  
 IDMA WIRING  
 VARIOUS DOOR TYPES  
 CONNECTION

TITLE: **IDMA VARIOUS CONFIGURATION STAND ALONE W/ CARD READERS**

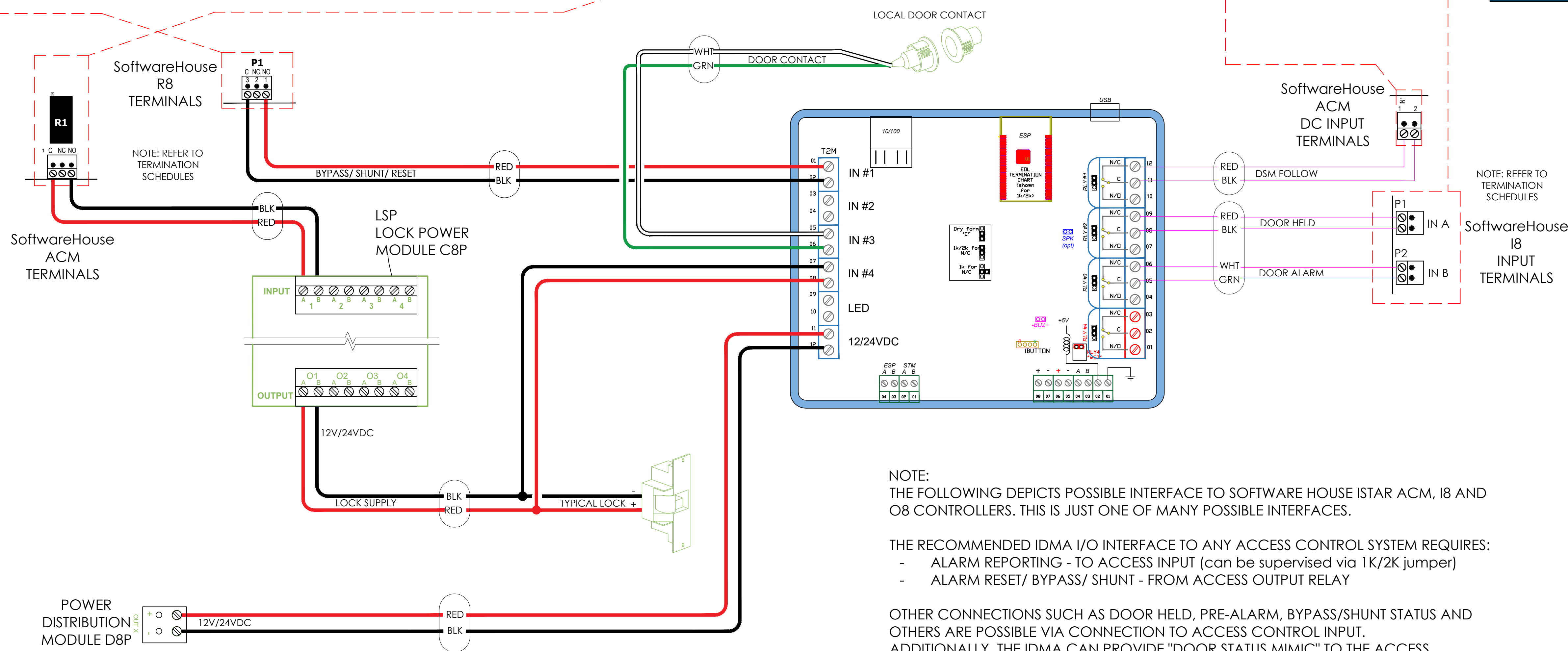
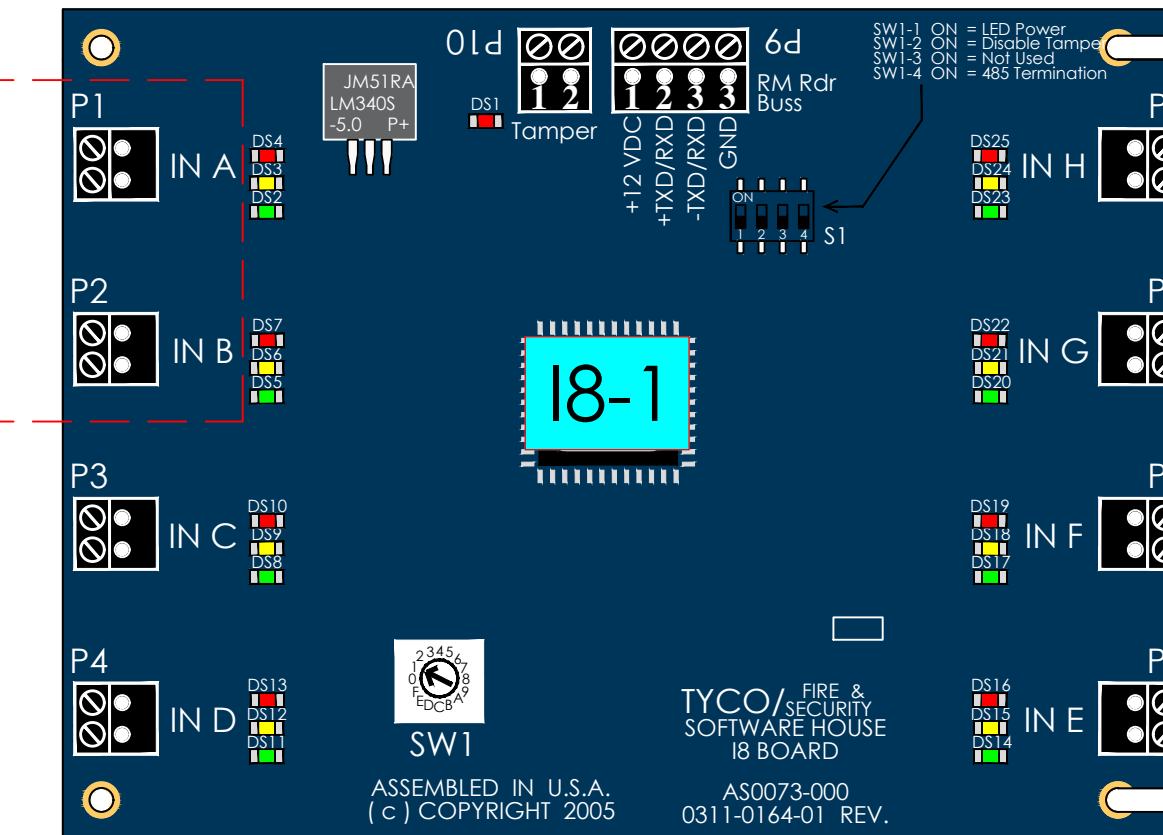
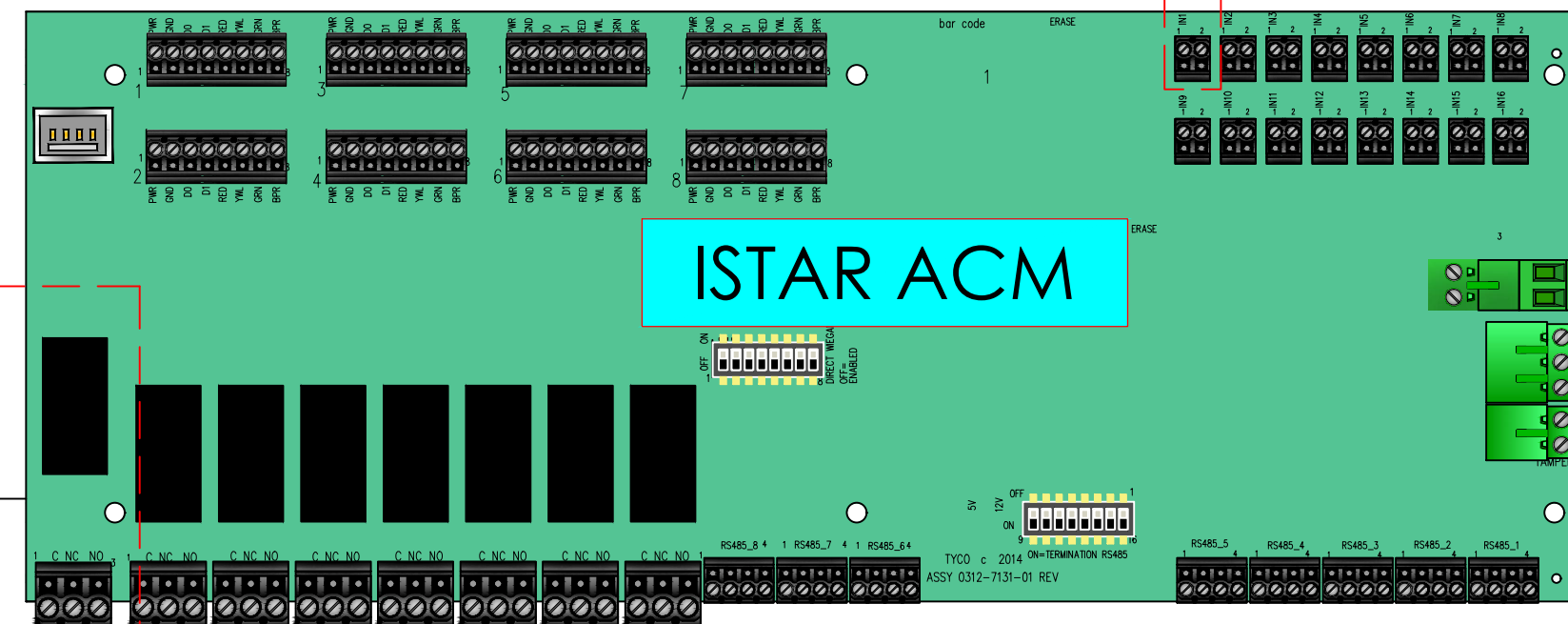
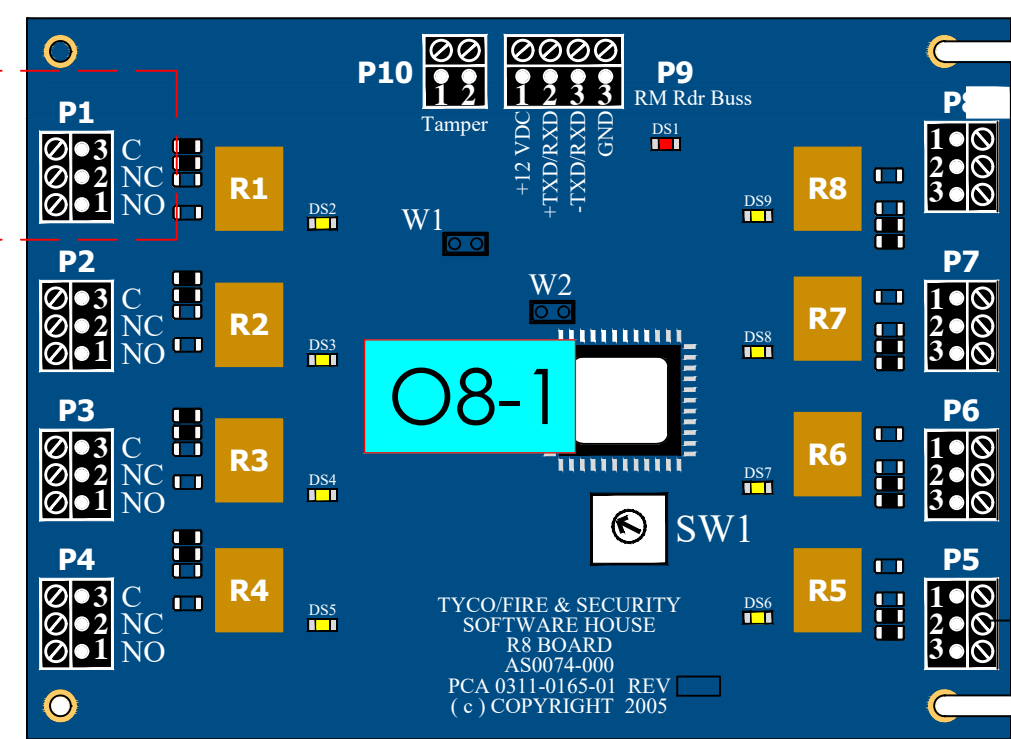
| DESIGNED BY | DRAWN BY | CHECKED BY |
|-------------|----------|------------|
| XX          | XX       | XX         |

| WORK ORDER NO. | DATE     |
|----------------|----------|
| XXXXXX         | 03-04-22 |

| S.A. NO. | DRAWING NO. |
|----------|-------------|
| XXXXXX   | SE-705      |

SCALE: X/X"=1'-0"

# IDMA 2101 - SOFTWAREHOUSE ULTRA SE (typ)

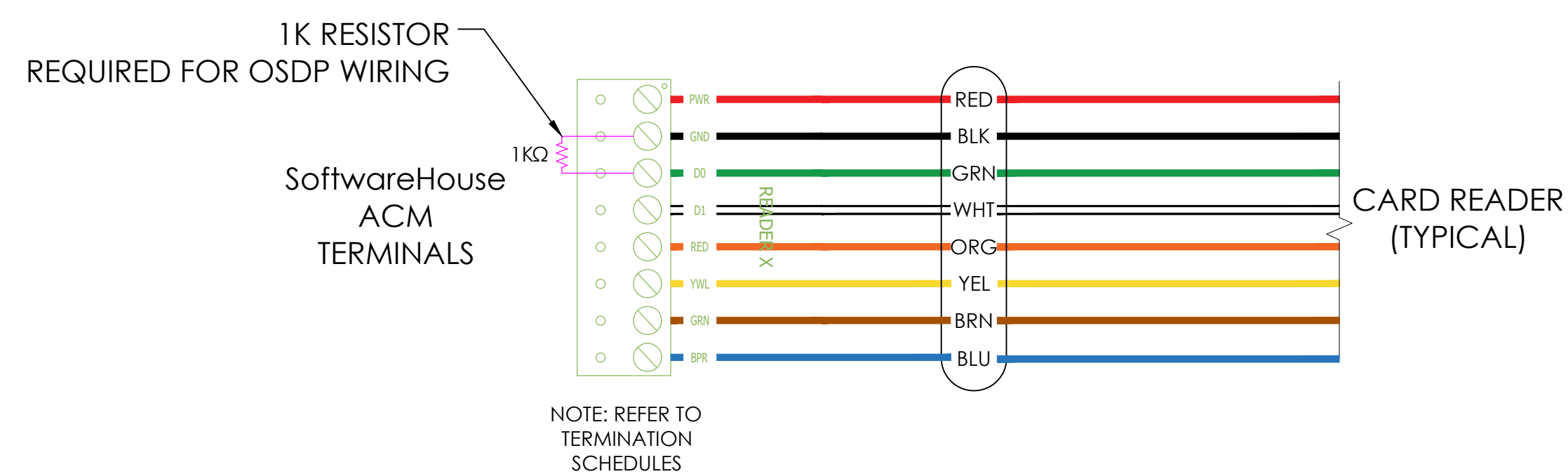


NOTE:  
THE FOLLOWING DEPICTS POSSIBLE INTERFACE TO SOFTWARE HOUSE ISTAR ACM, I8 AND O8 CONTROLLERS. THIS IS JUST ONE OF MANY POSSIBLE INTERFACES.

THE RECOMMENDED IDMA I/O INTERFACE TO ANY ACCESS CONTROL SYSTEM REQUIRES:

- ALARM REPORTING - TO ACCESS INPUT (can be supervised via 1K/2K jumper)
- ALARM RESET/ BYPASS/ SHUNT - FROM ACCESS OUTPUT RELAY

OTHER CONNECTIONS SUCH AS DOOR HELD, PRE-ALARM, BYPASS/SHUNT STATUS AND OTHERS ARE POSSIBLE VIA CONNECTION TO ACCESS CONTROL INPUT. ADDITIONALLY, THE IDMA CAN PROVIDE "DOOR STATUS MIMIC" TO THE ACCESS CONTROL, NEGATING THE NEED TO ADD SECONDARY DOOR CONTACT.



ISSUED FOR:

| DATE       | COMMENTS |
|------------|----------|
| XX/XX/XX X |          |
|            |          |
|            |          |
|            |          |
|            |          |



This CAD set and all inventions, ideas, designs, details and methods shown here are the property of Acenes, Inc and may not be used, altered, reproduced, or distributed without ACENES's written consent and permission.

PROJECT:  
**TYPICAL IDMA/ SWH WITH LIFE SAFETY POWER (SHOWN WITH LNL-1320)**

TITLE:  
**IDMA VARIOUS CONFIGURATION STAND ALONE W/ CARD READERS**

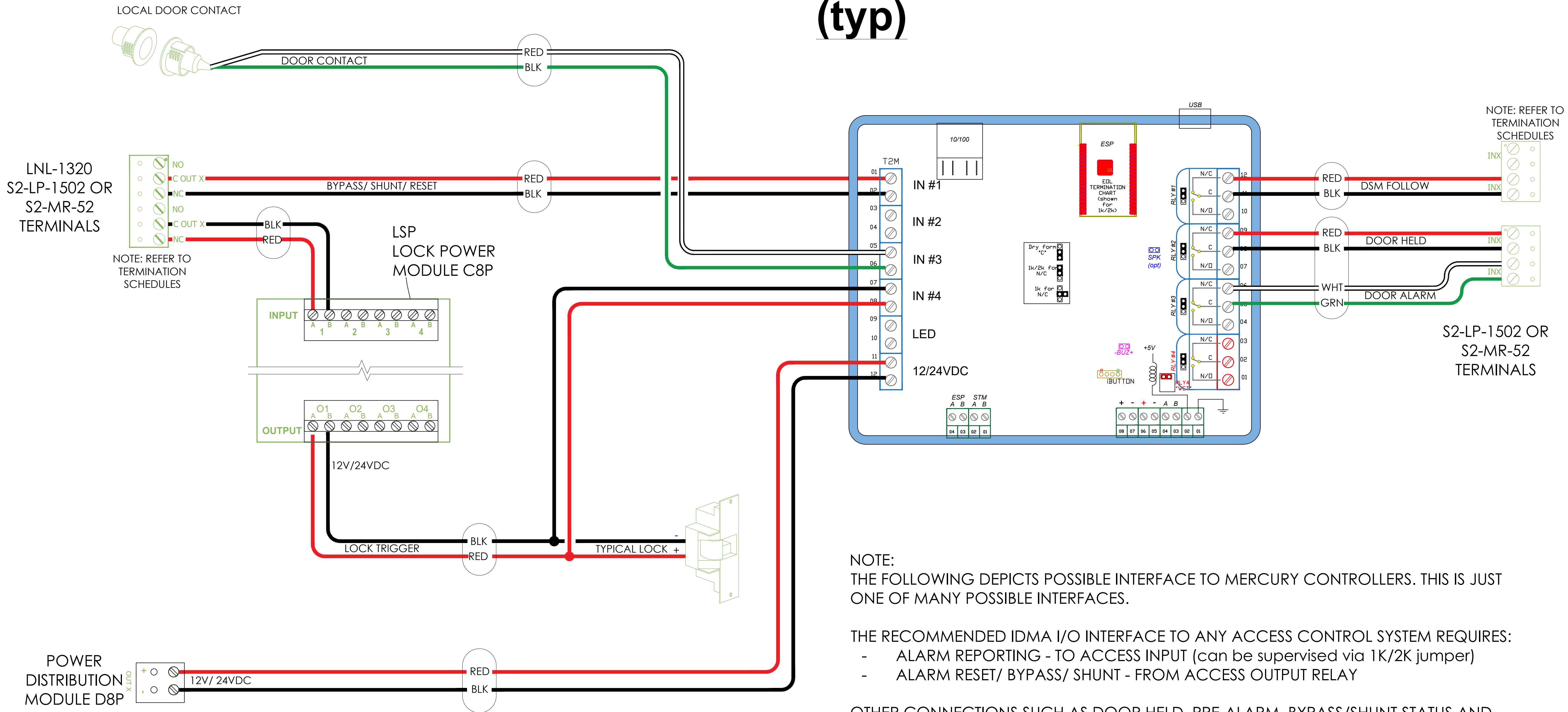
| DESIGNED BY | DRAWN BY | CHECKED BY |
|-------------|----------|------------|
| XX          | XX       | XX         |

| WORK ORDER NO. | DATE     |
|----------------|----------|
| XXXXXX         | 03-04-22 |

| S.A. NO. | SCALE      |
|----------|------------|
| XXXXXX   | X/X"=1'-0" |

| DRAWING NO.    |
|----------------|
| <b>SE-705A</b> |

# IDMA 2101 - MERCURY (typ)

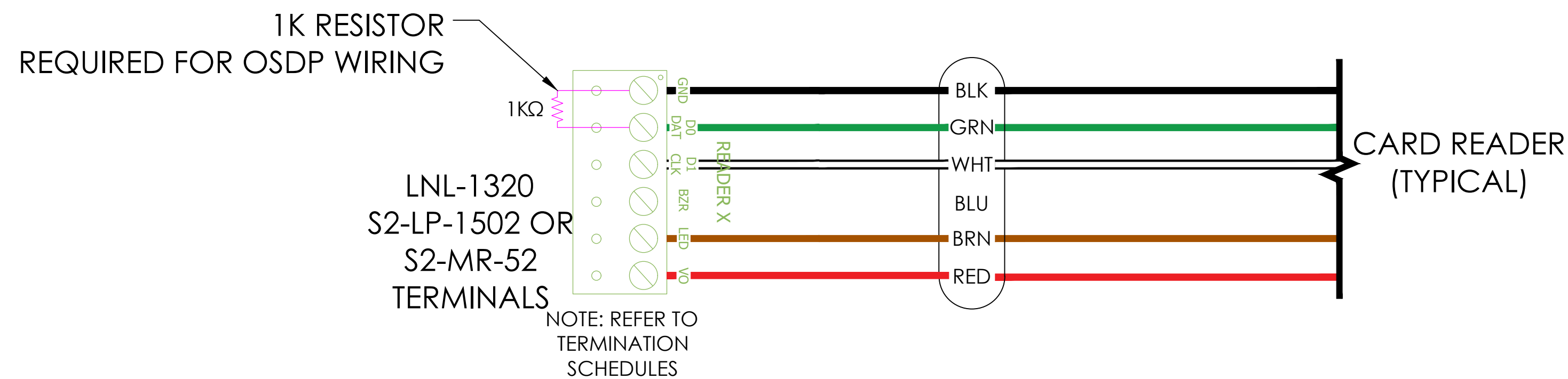


NOTE:  
THE FOLLOWING DEPICTS POSSIBLE INTERFACE TO MERCURY CONTROLLERS. THIS IS JUST ONE OF MANY POSSIBLE INTERFACES.

THE RECOMMENDED IDMA I/O INTERFACE TO ANY ACCESS CONTROL SYSTEM REQUIRES:

- ALARM REPORTING - TO ACCESS INPUT (can be supervised via 1K/2K jumper)
- ALARM RESET/ BYPASS/ SHUNT - FROM ACCESS OUTPUT RELAY

OTHER CONNECTIONS SUCH AS DOOR HELD, PRE-ALARM, BYPASS/SHUNT STATUS AND OTHERS ARE POSSIBLE VIA CONNECTION TO ACCESS CONTROL INPUT. ADDITIONALLY, THE IDMA CAN PROVIDE "DOOR STATUS MIMIC" TO THE ACCESS CONTROL, NEGATING THE NEED TO ADD SECONDARY DOOR CONTACT.



| ISSUED FOR: |          |
|-------------|----------|
| DATE        | COMMENTS |
| XX/XX/XX X  |          |
|             |          |
|             |          |
|             |          |
|             |          |



This CAD set and all inventions, ideas, designs, details and methods shown here are the property of Acenes, Inc and may not be used, altered, reproduced, or distributed without ACENES's written consent and permission.

PROJECT:  
**TYPICAL IDMA/MERCURY WITH LIFE SAFETY POWER (SHOWN WITH LNL-1320)**

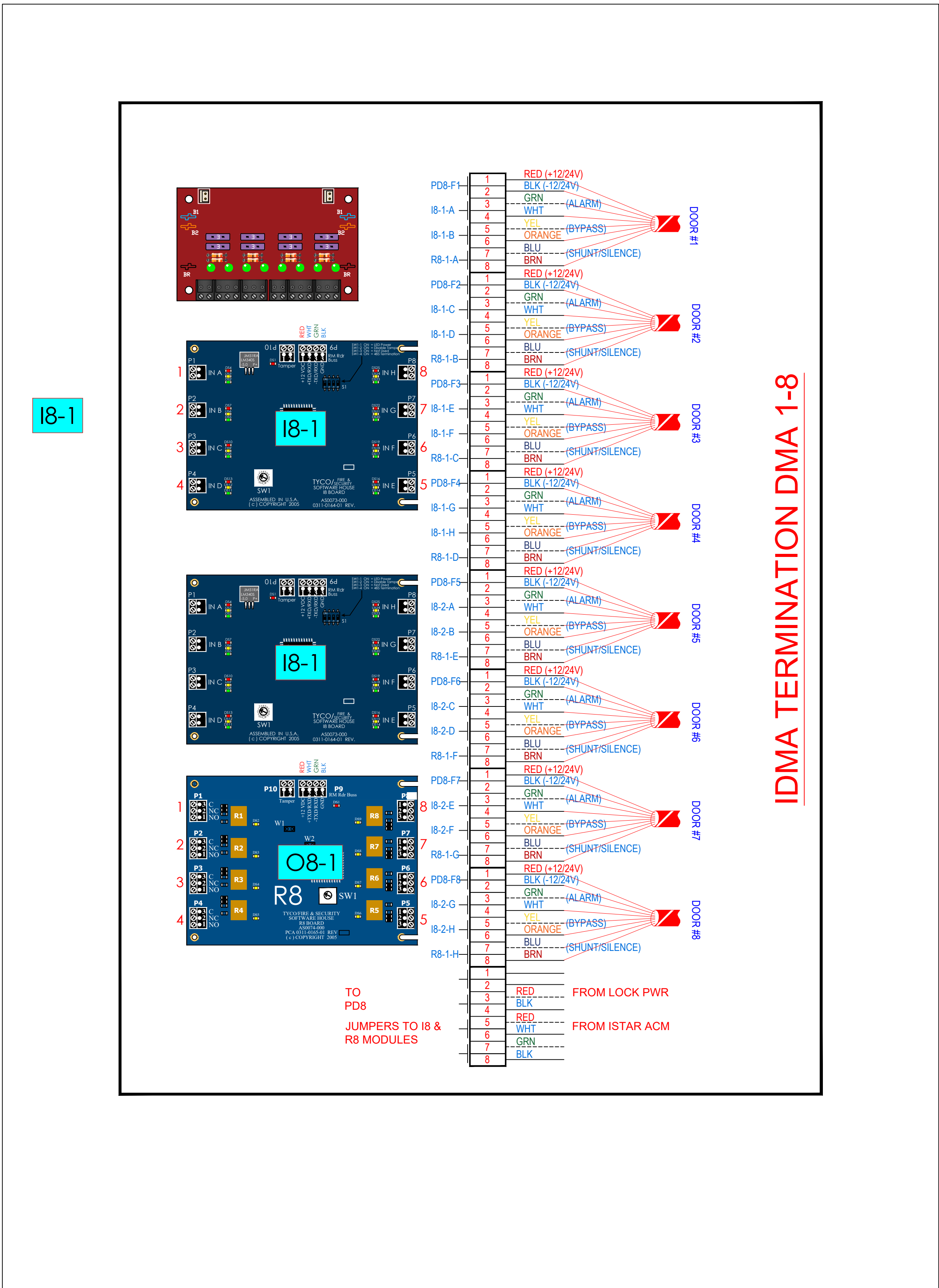
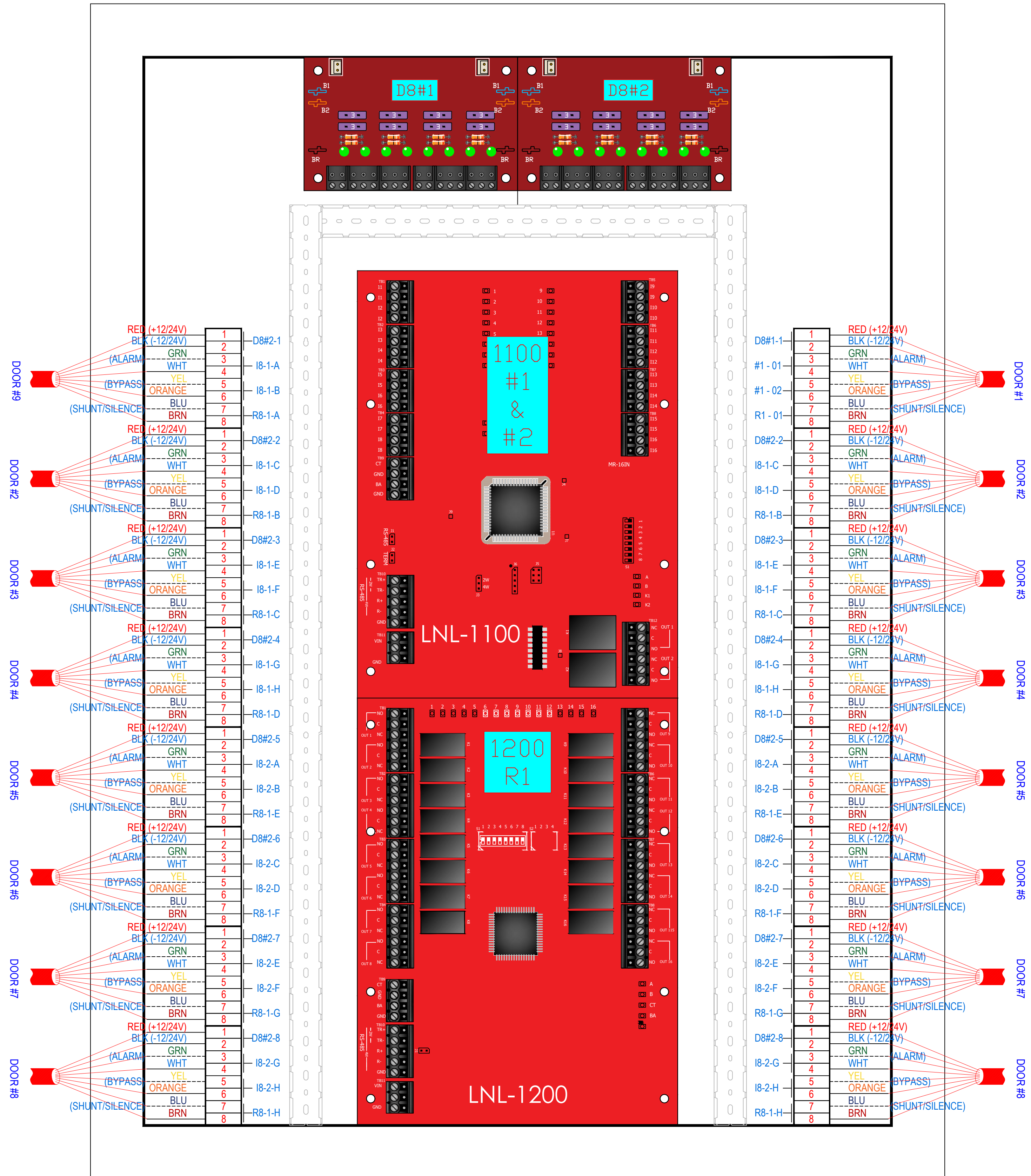
TITLE:  
**IDMA VARIOUS CONFIGURATION STAND ALONE W/ CARD READERS**

|                                 |                               |                             |
|---------------------------------|-------------------------------|-----------------------------|
| DESIGNED BY<br><b>XX</b>        | DRAWN BY<br><b>XX</b>         | CHECKED BY<br><b>XX</b>     |
| WORK ORDER NO:<br><b>XXXXXX</b> | DATE:<br><b>03-04-22</b>      | SCALE:<br><b>X/X"=1'-0"</b> |
| S.A. NO:<br><b>XXXXXX</b>       | DRAWING NO:<br><b>SE-705B</b> |                             |

# HEAD END TERMINATION USING 8 CONDUCTORS CABLE

## 8/16 DOORS - MERCURY

## 8 DOORS - SOFTWARE HOUSE



IDMA TERMINATION DMA 1-8

**NOTE:**  
THE FOLLOWING DEPICTS POSSIBLE INTERFACE TO SOFTWARE HOUSE I8 AND O8 AS WELL AS LENE 1100 AND 1200 CONTROLLERS. THIS IS JUST ONE OF MANY POSSIBLE INTERFACES. PRE-ASSEMBLY SOLUTIONS ARE AVAILABLE IN A VARIETY OF ENCLOSURES SUCH AS LSP E6M IN A VARIETY OF CONFIGURATIONS.

ISSUED FOR:

| DATE       | COMMENTS |
|------------|----------|
| XX/XX/XX X |          |



This CAD set and all inventions, ideas, designs, details and methods shown here are the property of Acenes, Inc and may not be used, altered, reproduced, or distributed without ACENES's written consent and permission.

PROJECT:  
**TYPICAL TERMINATION**  
8 CONDUCTOR CABLE

TITLE:  
IDMA  
PRE-TERMINATED  
8 / 16 DOORS  
SWH / MERCURY

|                   |                |                  |
|-------------------|----------------|------------------|
| DESIGNED BY<br>XX | DRAWN BY<br>XX | CHECKED BY<br>XX |
|-------------------|----------------|------------------|

|                          |                   |
|--------------------------|-------------------|
| WORK ORDER NO.<br>XXXXXX | DATE:<br>03-04-22 |
|--------------------------|-------------------|

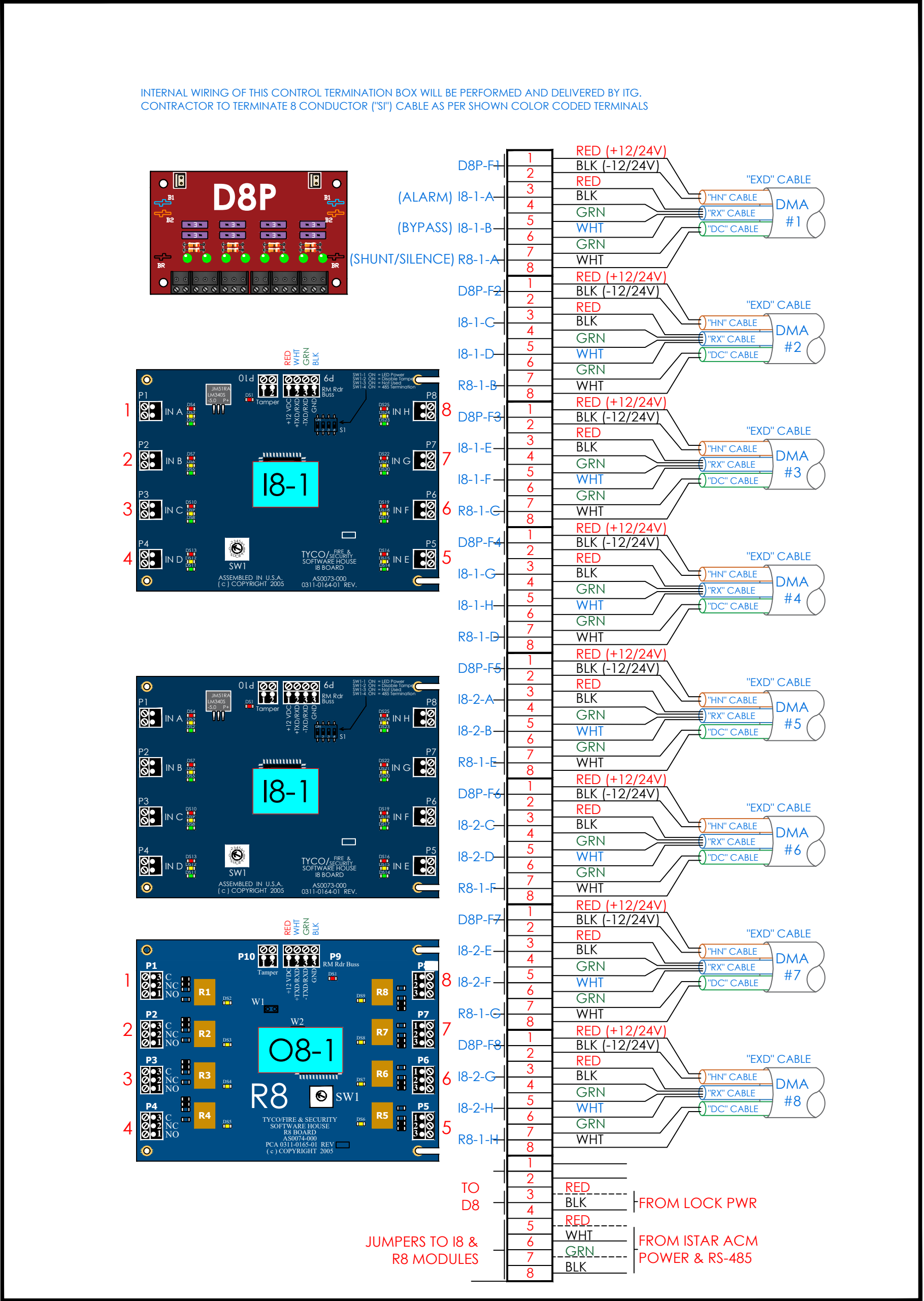
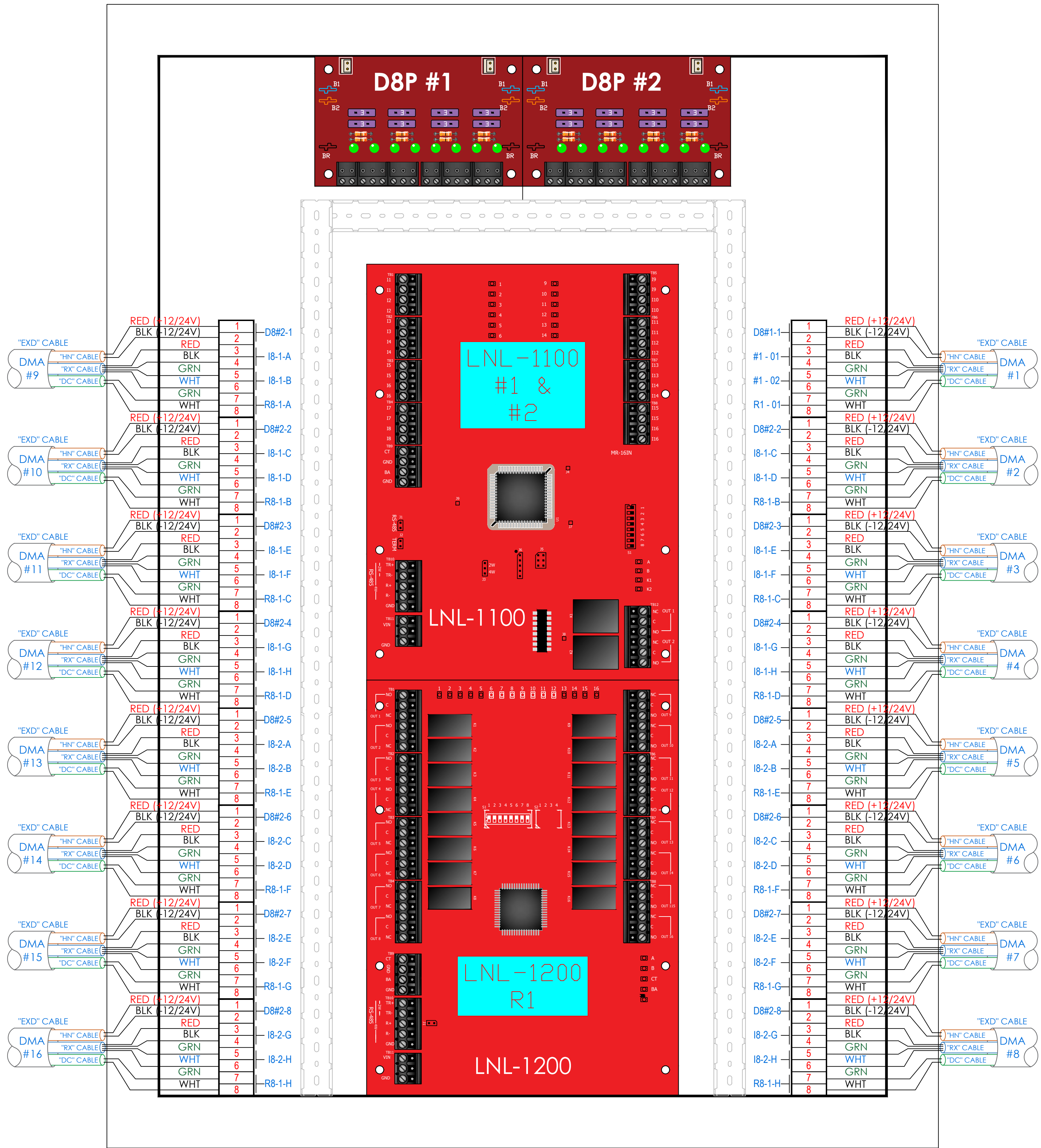
|                    |                      |
|--------------------|----------------------|
| S.A. NO.<br>XXXXXX | SCALE:<br>X/X"=1'-0" |
|--------------------|----------------------|

|                               |
|-------------------------------|
| DRAWING NO.<br><b>SE-705C</b> |
|-------------------------------|

# HEAD END TERMINATION USING COMPOSITE CABLE 5465

## 8/16 DOORS - MERCURY

## 8 DOORS - SOFTWARE HOUSE



**NOTE:**  
THE FOLLOWING DEPICTS POSSIBLE INTERFACE TO SOFTWARE HOUSE I8 AND O8 AS WELL AS LENE1 1100 AND 1200 CONTROLLERS. THIS IS JUST ONE OF MANY POSSIBLE INTERFACES. PRE-ASSEMBLY SOLUTIONS ARE AVAILABLE IN A VARIETY OF ENCLOSURES SUCH AS LSP E6M IN A VARIETY OF CONFIGURATIONS.

FOR EASE OF FIELD INSTALLATION, UNIFORMITY AND CONSISTENCY, PRE-ASSEMBLED AND WIRED ENCLOSURES ARE AVAILABLE FROM ACENES  
CUSTOM ENGINEERED AND ASSEMBLED SOLUTIONS ARE AVAILABLE

ISSUED FOR:

| DATE       | COMMENTS |
|------------|----------|
| XX/XX/XX X |          |
|            |          |
|            |          |
|            |          |
|            |          |
|            |          |
|            |          |
|            |          |
|            |          |



This CAD set and all inventions, ideas, designs, details and methods shown here are the property of Acenes, Inc and may not be used, altered, reproduced, or distributed without ACENES's written consent and permission.

PROJECT:  
**TYPICAL TERMINATION**  
COMPOSITE CABLE 5465-EXD-AMZ

TITLE:  
IDMA  
PRE-TERMINATED  
8 / 16 DOORS  
SWH / MERCURY

| DESIGNED BY | DRAWN BY | CHECKED BY |
|-------------|----------|------------|
| XX          | XX       | XX         |

|                          |                      |
|--------------------------|----------------------|
| WORK ORDER NO:<br>XXXXXX | DATE:<br>03-04-22    |
|                          | SCALE:<br>X/X"=1'-0" |

|                    |                               |
|--------------------|-------------------------------|
| S.A. NO:<br>XXXXXX | DRAWING NO:<br><b>SE-705D</b> |
|--------------------|-------------------------------|